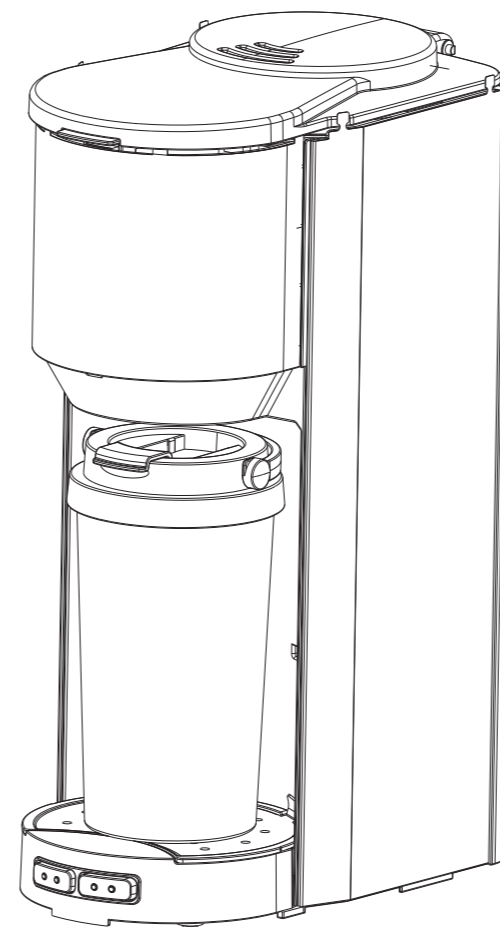


# MOBIWARM

# MOBIWARM

Model: MWCMA01-S

## Instruction Manual

















Safety Precautions	2-3
Parts Description	4
Set Up	5
Fill the tank with water	5
Add coffee beans or ground coffee powder	6
Set the container	7
Mode Selection	8
Maintenance Method	9
How to remove each part	10
Specification	11

Thank you for purchasing the coffee maker.  
In order to use this product safely and correctly, please read and fully understand  
this instruction manual before use.  
After reading, please keep it properly.

**For Household Use only**

# Safety Precautions

## ⚠ WARNING

-  Do not modify or repair the appliance by yourself. If you need repair service, please send the product to customer service centre.
-  Children should be supervised to ensure that they do not play with the appliance.
-  Never immerse the appliance in water or any other liquid, nor rinse it under the tap.
-  Keep the appliance and its cord out of the reach of children.
-  Unplug from wall socket before cleaning. Allow the appliance to cool down then washing.
-  Do not let the mains cord hang over the edge of the table or worktop on which the appliance stands.
-  Do not use wet hand to connect the plug to wall socket or disconnect the plug from wall socket.
-  Do not wash in dish washing machine.
-  Do not use extension unit to avoid power overloaded.
-  Do not use in very humid environment like bathroom.
-  Make sure the appliance is connected to wall socket with AC 220V 13A .
-  Do not touch the grinding blades of the appliance, especially when the appliance is connected to wall socket.
-  This appliance is not intended for use by persons (including children) with reduced physical, sensory or mental capabilities, or lack of experience and knowledge, unless they have been given supervision or instruction concerning use of appliance by a person responsible for their safety.
-  Do not lift and move the appliance while it is operating.

## Specification

Dimension	Main body: 155(W) x 240(L) x 360(H) mm Tumbler: 87(Dia) x 175(H) mm
Capacity	550ml
Weight	Main body: 2280g Tumbler: 260g
Voltage / Frequency	AC 220-240V, 50-60Hz
Rated power output	Heater: 900W Grinder: 150W
Power cable length	about 80cm
Type	Dripping
Keep warm function	N/A
Amount of water used	MAX: 550ml MIN: 300ml
Safety device	Thermostat: 130 degree Celsius Thermo fuse: 229 degree Celsius
Rated time	Coarse grind: 15 sec Fine grind: 25 sec
Measuring spoon	6g
Maximum coffee bean/ ground powder weight	35g
Material	Main body: PP, Stainless steel Tumbler: Stainless steel
Accessories	Main body, tumbler, tumbler lid, measuring spoon, instruction manual
Warranty period	12 months from purchasing date

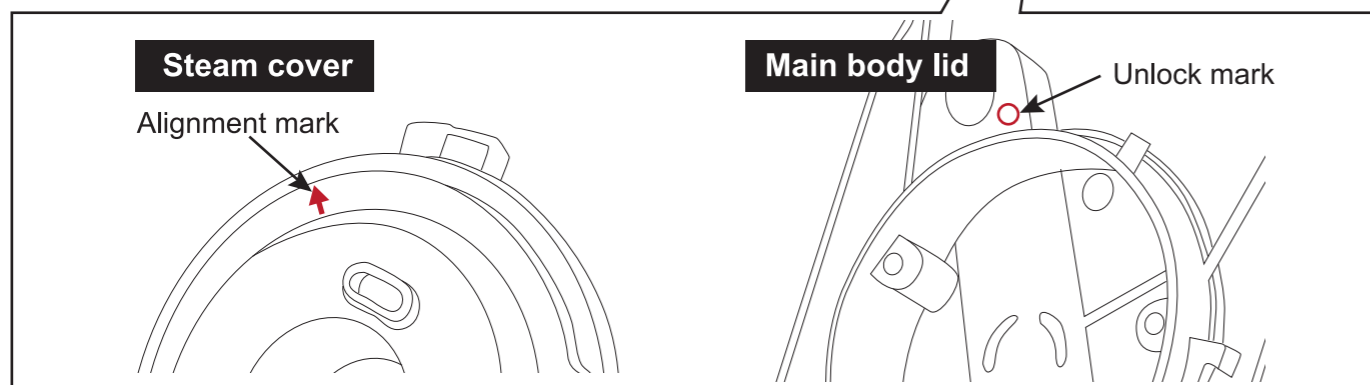
\*Specifications are subject to change without notice for product improvement and may differ from the contents described in instruction manual.

## How to remove each part

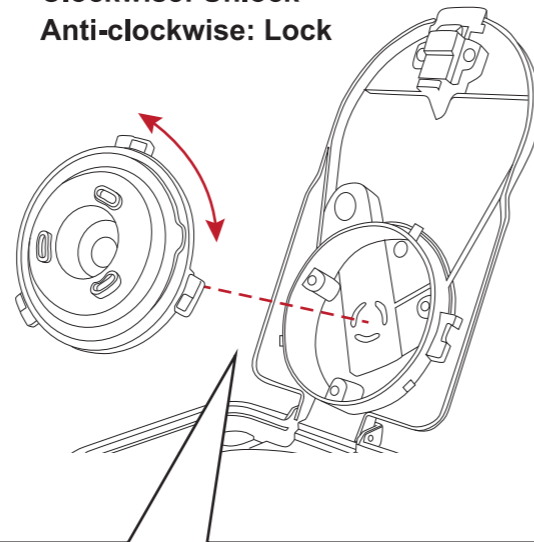
### How to remove steam cover

There is a steam cover when you open the lid. Turn clockwise to remove the steam cover as per diagram.

When installing, align the alignment mark (arrow) on the steam cover with unlock mark on the back of the main body lid. And turn it to the left to lock it.



Clockwise: Unlock  
Anti-clockwise: Lock



### How to remove coffee filter basket / water filter

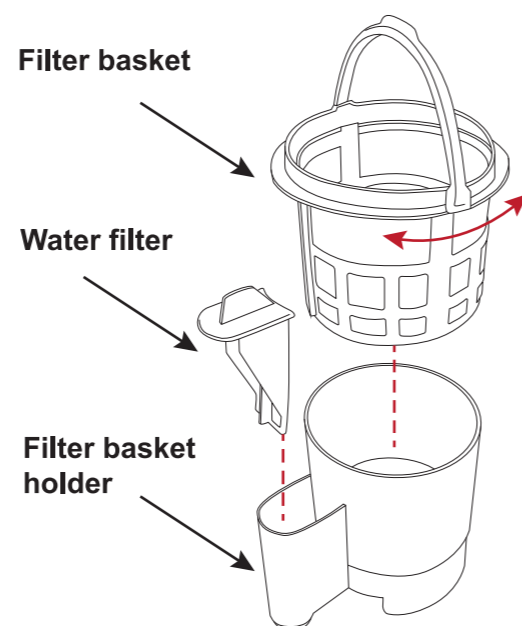
Raise the handle of coffee filter basket and lift it up to remove the set.

While holding the filter basket, hold the edge of filter basket and turn anti-clockwise. Twist it and it will be removed.

Remove the water filter by holding the knob and pulling it upward.

When putting it back the filter basket, insert it firmly into the basket holder and turn it clockwise until it clicks into place.

Clockwise: Lock  
Anti-clockwise: Unlock



## Safety Precautions

### ⚠ WARNING

⚠ **Stop using the appliance immediately if below cases happen.**

- Mains cord or plug finds deformation, discoloration or damage.
- Mains cord or plug is unusually hotter than normal.
- The appliance becomes unusually hot or smells like burning.
- There is an abnormal rotating sound.

**Send it to customer service centre for inspection and repair.**

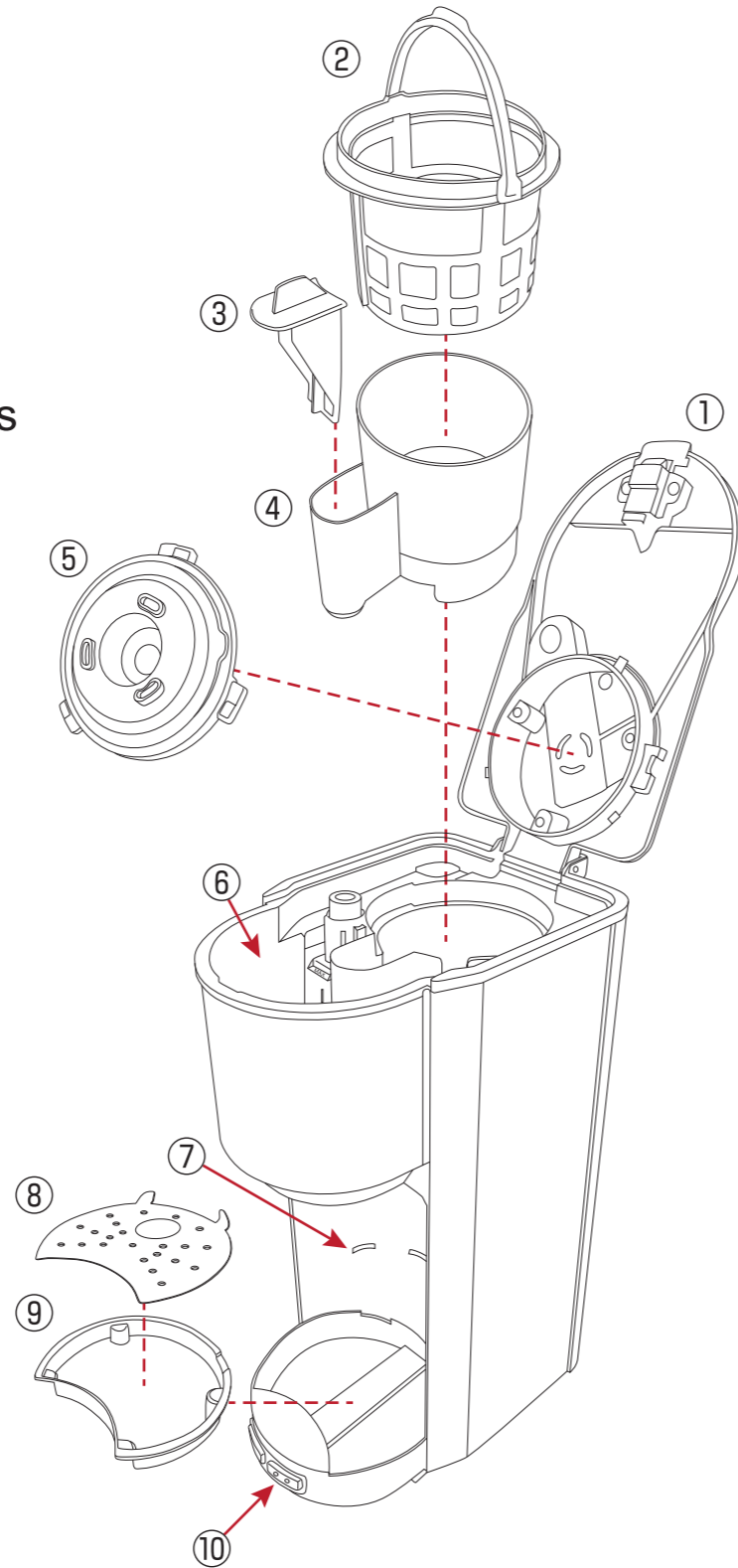
- ⚠ Do not touch the steam vent.
- ⊘ Do not put foreign objects other than coffee beans into the filter basket.
- ⊘ The grinding blades are sharp and dangerous. Please be careful when cleaning.
- ⊘ Do not fill more than 550ml water into the tank.

### ⚠ CAUTION

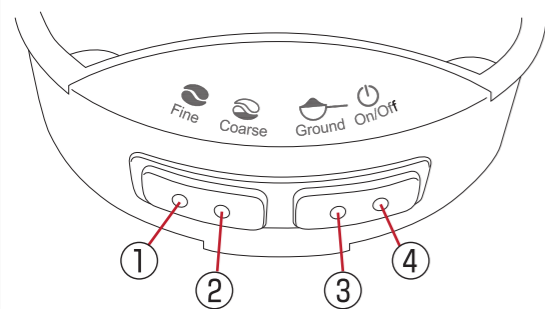
- ⊘ Do not place the appliance on a hot surface and prevent the mains cord from coming into contact with hot surfaces.
- ⊘ Do not let the mains cord hand over the edge of the table or worktop on which the appliance stands.
- ⊘ The appliance is intended for normal household use only.
- ⚠ Wait until the appliance has been cooled down before you store it. The hotplate and tumbler may be hot.
- ⊘ Do not lift and move the appliance while it is operating.
- ⊘ Unplug the appliance if any problems occur during grinding or brewing and before you clean it.
- ⊘ Keep the plug and the wall socket dry.
- ⊘ Never use the tumbler in a microwave oven.
- ⊘ Do not touch the hot surfaces of the appliance when it operates.
- ⊘ Do not touch the grinding blades of the appliance, especially when the appliance is connected to wall socket.

## Part Description

- ① Main body
- ② Filter basket
- ③ Water filter
- ④ Filter basket holder
- ⑤ Steam cover
- ⑥ Water tank
- ⑦ Mesh plate mounting holes
- ⑧ Mesh plate
- ⑨ Tray
- ⑩ Operation buttons

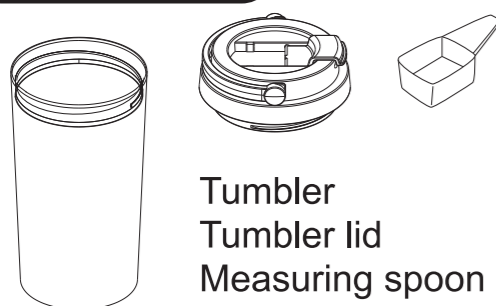


### Operation buttons details



- ① Fine grinding mode
- ② Coarse grinding mode
- ③ Coffee powder mode
- ④ Power button

### Accessories



## Maintenance method

### ⚠ WARNING

Unplug the mains plug before cleaning.  
There is risk of injury such as electric shock.

### CAUTION

Do not use the below items for cleaning :  
Polishing powder, thinners, bleach, metal scrubber or nylon scrubber.

### Disassemble the below parts and clean every time after the appliance cooled down

- Main body
- Filter basket
- Water filter
- Filter basket holder
- Steam cover
- Mesh plate
- Tray
- Tumbler
- Tumbler lid

Part	Cleaning method
<b>Main body</b>	<ol style="list-style-type: none"> <li>1) Wipe the main body with slightly wet soft cloth.</li> <li>2) Wipe off moisture with dry cloth and let it dry thoroughly.</li> </ol>
<ul style="list-style-type: none"> <li>· <b>Filter basket</b></li> <li>· <b>Water filter</b></li> <li>· <b>Filter basket holder</b></li> <li>· <b>Steam cover</b></li> <li>· <b>Tumbler</b></li> <li>· <b>Tumbler lid</b></li> <li>· <b>Mesh plate</b></li> <li>· <b>Tray</b></li> </ul>	<ol style="list-style-type: none"> <li>1) Wash with sponge in water diluted with detergent, then rinse with water</li> <li>2) Wipe off moisture with dry cloth and let it dry thoroughly.</li> </ol> <p>* Refer to next page for how to remove each part.</p>

- \* Never immerse the product in water or any other liquid, nor rinse it under the tap.
- \* Do not wash in dish washing machine.

## Mode selection

### Choose from below 3 coffee making modes

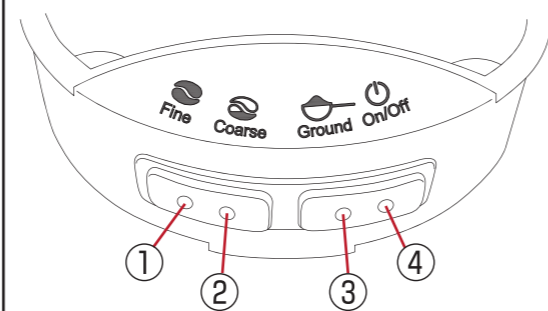
Please choose either ① or ② if using coffee beans or choose ③ if using pre-ground coffee powder.

Press any button to start making coffee.

Dripping takes about 6 minutes for making 550ml coffee.

\*If the water tank lid is opened halfway, a beep sound will be heard. It will restart automatically when the lid is closed.

#### Operation buttons details



- ① Fine grinding mode
- ② Coarse grinding mode
- ③ Coffee powder mode
- ④ Power button

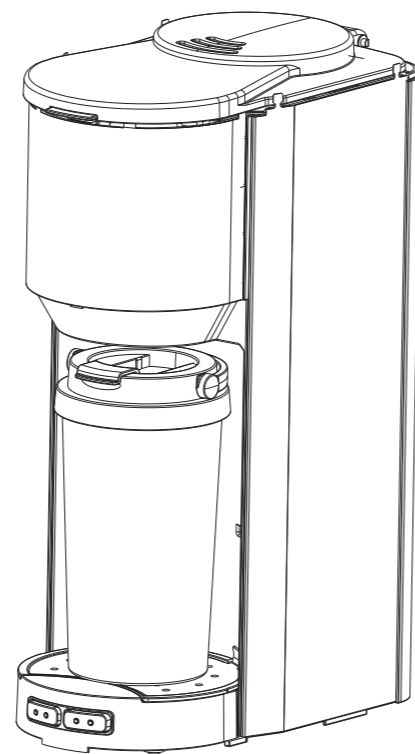
## Finish process

### Take out the tumbler and you can start drinking

You will hear a beep sound when dripping finished.

\*A small amount of coffee will continue to drip from the coffee maker after the process, but this is not abnormal.

\*When using your own coffee cup, please be careful as it is hot.



## Set Up

**1** Place the appliance on a flat and horizontal surface table.

**2** Connect the mains plug to the wall socket.

\*Make sure it is AC 220V.

\*You will hear a beep sound and the light will turn on.

## Filling the tank with water

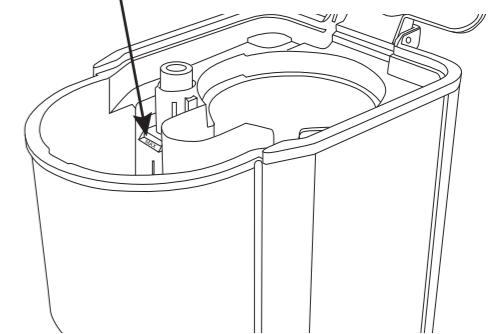
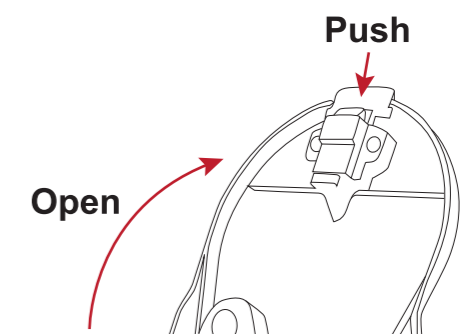
### Open the water tank lid and fill with COLD water

Do not fill the water beyond the MAX line (550ml).

The tumbler given is with 550ml capacity.

Fill water not less than 300ml.

\*Make sure fill with COLD water. No hot water allowed.

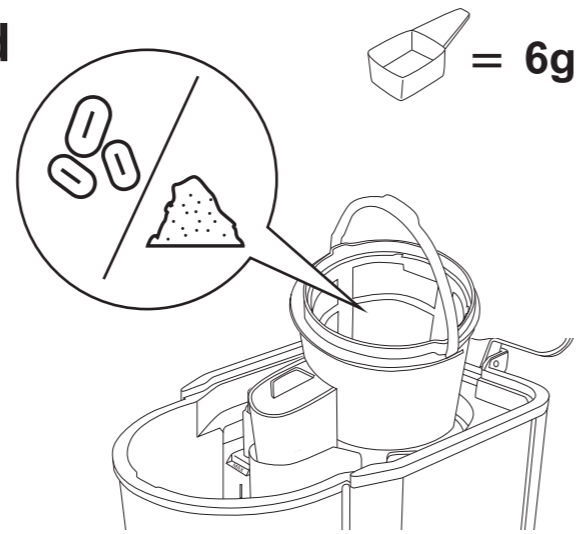


## Add coffee bean / pre-ground coffee powder

### Put coffee bean / pre-ground coffee powder into the filter basket

You can put up to maximum 35g coffee beans / pre-ground coffee powder.

The capacity of given measuring spoon is about 6g per serving.



	Amount of water	Amount of coffee beans / pre-ground coffee powder
Tumbler	MIN (300ml)	3.5 measuring spoon (20g)
	MAX (550ml)	5.5 measuring spoon (35g)

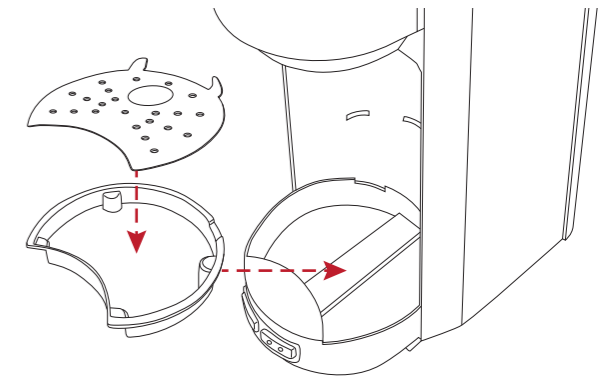
\*The weight of coffee beans slightly varies depending on the coffee type. If you are not sure, try using less amount of coffee bean.

\*You may adjust the portion of water and coffee beans / pre-ground coffee powder according to your favourite.

## When using the given tumbler

### Set the tray and mesh plate

Place the mesh plate on the tray (with the two tabs facing upwards), and align it with the recess on the bottom of the main unit.



## When using your own coffee cup

### Attach the mesh plate to the mounting hole

Fit the tray into the recess on the bottom of the main unit.

