



Instruction Manual

(For Model No. V90MCB, V70MCB, V40MCB, V190MCA,)

It is advisable to make a note of the model number and the serial number of the appliance before installing the appliance.

Model number

Serial number

Date of purchase

This Instruction Manual contains important information, including safety & installation details, which will enable you to appropriately use your appliance.

IMPORTANT: A&P Electronic Trading Company Limited declines all responsibility in the event of the installer failing to observe all the accident prevention regulations in force, which are necessary for normal use and the regular operation of the electric system.



INFLAMMABLE REFRIGERANT GAS



DO NOT use mechanical devices to defrost refrigerator. DO NOT puncture refrigerant tubing.

DANGER - Risk of fire or explosion. Inflammable refrigerant used. To be repaired only by trained service personnel.

All safety precautions must be followed.

CAUTION - Risk of fire or explosion. Dispose of property in accordance with federal or local regulations.

CAUTION - Risk of fire or explosion. Follow handling instructions carefully. Inflammable refrigerant used.

IMPORTANT SAFETY INFORMATION

Before the appliance is used, it must be properly positioned and installed as described in this manual, so read the manual carefully. To reduce the risk of fire, electrical shock or injury when using the appliance, follow basic precaution, including the following:

- Plug into a grounded 3-prong outlet, do not remove grounding prong, do not use an adapter, and do not use an extension cord. It is recommended to use a separate circuit, serving only your appliance.
- Never clean appliance parts with inflammable fluids. Never store or let gasoline or other inflammable vapours and liquids near this appliance.
- Before proceeding with cleaning and maintenance operations, make sure the power of the unit is disconnected. Failure to do so can result in electrical shock or death.
- Do not connect or disconnect the electric plug when your hands are wet.
- All repair servicing should be referred to a qualified technician.



- Use two or more people to move and install appliance. Failure to do so can result in back or other injury.
- To ensure proper ventilation for your appliance, the front of the unit must be completely unobstructed. Choose a well-ventilated area with temperatures above 16°C (60°F) and below 32°C (90°F). This unit must be installed in an area protected from the element, such as wind, rain, water spray or drips.
- The appliance should not be located next to ovens, grills or other sources of high heat.
- The appliance must be installed with all electrical, water and drain connections in accordance with ordinances required.
- Do not kink or pinch the power supply cord of appliance. Never unplug the appliance by pulling the power cord. Always grip the plug firmly and pull straight out from the receptacle. Repair or replace immediately all power cords that have become frayed or otherwise damaged. Do not use a cord that shows cracks or abrasion damage along its length or at either end. When moving the appliance, be careful not to damage the power cord.
- The fuse (or circuit breaker) size should be 13 amperes.
- It is important for the appliance to be levelled in order to work properly. You may need to make several adjustments to level it.
- Risk of child entrapment. Junked or abandoned appliances are still dangerous. Before you throw away your old wine cellar, take off the door but leave the shelves in place so that children may not easily climb inside. Never allow children to operate, play with or crawl inside the appliance.
- Do not use solvent-based cleaning agents or abrasives on the interior. These cleaners may damage or discolour the interior.
- Do not use this apparatus for other than its intended purpose.

INSTALLATION INSTRUCTIONS

Before using your wine cellar

- Remove the exterior and interior packing by two or more people.
- Check to be sure you have all of the following parts:
 - 2 Keys (if applicable) / Local Warranty Card / Instruction Manual
- Before connecting the Wine Cellar to the power source, let it stand upright for approximately 2 hours. This will reduce the possibility of a malfunction in the cooling system from handling during transportation.
- Clean the interior surface with lukewarm water using a soft cloth.

Installation of your wine cellar

- This appliance is designed to be for free standing installation. Allow at least 5 cm between the back and sides of the wine cooler; and leave a minimum space of 8 cm between the back cabinet and the wall
- Place your wine cellar on a floor that is strong enough to support it when it is fully loaded. To level your wine cellar, adjust the front levelling legs at the bottom of the wine cellar.

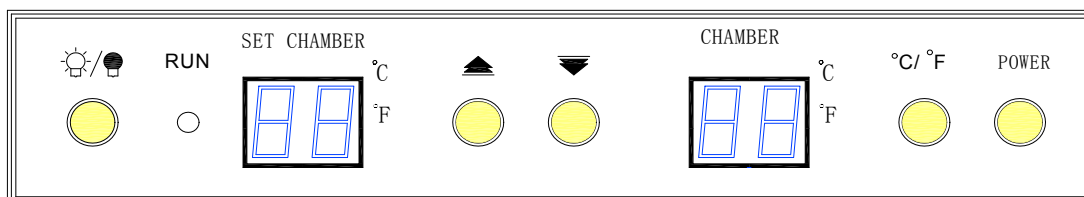


- The standard shelves are designed for Bordeaux bottle storage. The maximum loading capacity may vary subject to the different size or dimension of the wine bottles you store, as well as the shelves quantity pre-installed in the wine cooler.
- To prevent damaging the door and the door gasket, make sure to have the door open fully all the way before pulling out the shelves. **Please be careful and pull softly to avoid dropping of bottles.**
- Should the wine cooler be left empty for a long period please unplug and clean the appliance, then leave the door ajar to allow air to circulate inside the cabinet in order to avoid condensation, mold or odours forming.
- Locate the wine cellar away from direct sunlight and sources of heat (stove, heater, radiator, etc.). Direct sunlight may affect the acrylic coating and heat sources will increase electrical consumption.
- Extreme cold ambient temperatures may also cause the unit not to perform properly. **When the ambient (room) temperature is below 5°C, please unplug the cellar to avoid freezing the wine.**
- Avoid locating the unit in moist areas.
- The appliance should always be plugged into its own individual electrical outlet which has a voltage rating that matches the rating label on the appliance.
- If the appliance is going to be used in an area or if your city / country is prone to power surges / outages; it is suggested that you use a power surge protector for all electrical devices / appliances you use. The surge protector that you select must have a surge block high enough to protect the appliance it is connected to. If you have any questions regarding the type and size of surge protector needed contact a licensed electrician in your area. Damages due to power surges are not considered a manufacturer covered defect and will void your product warranty.

OPERATING YOUR WINE CELLAR

It is recommended you install the wine cellar in a place where the ambient temperature is between 19°C-24°C (66°F-75°F), and humidity is under 60%. If the ambient temperature is above or below recommended temperatures, the performance of the unit may be affected. Placing your unit in extreme cold or hot conditions may cause interior temperatures to fluctuate. Maintain a minimum 20mm between bottle and back plate

Control Panel and Setting



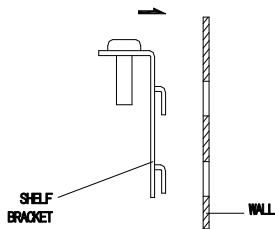
- The digital tube on the control panel indicates the temperature, the left tube indicates the setting temperature and the span is 5C~22C; the right one indicates the temperature of inner cabinet and the temperature range is 0~37C. "HH" when temperature is above 37C means the temperature is beyond the displaying span.

- Introduction of Display Plate Function

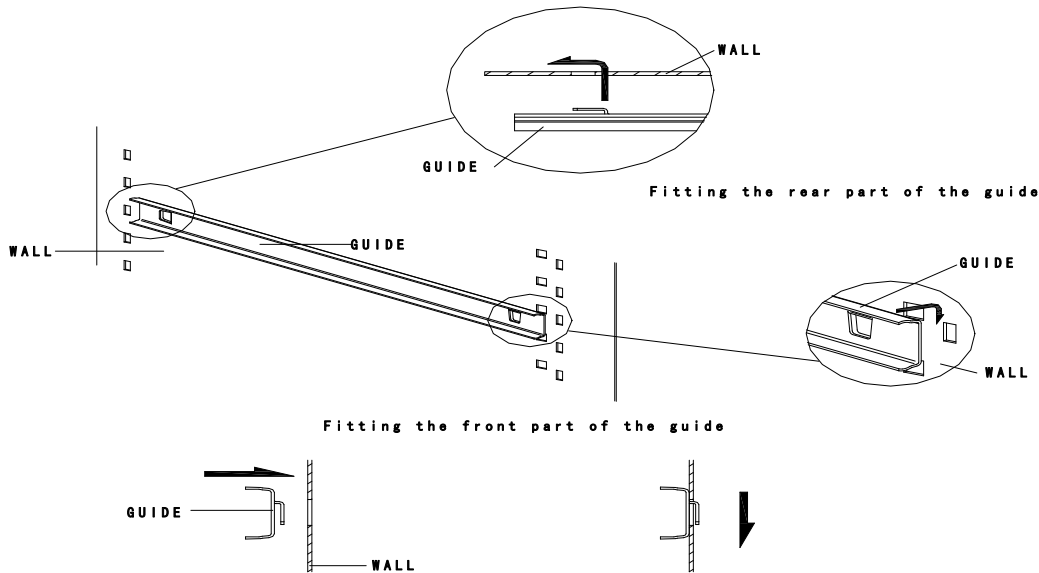
POWER	ON/OFF of the whole system	C/F	Select temperature display setting
Light ON/OFF	Control the ON/OFF of LED light	▲	Increment set of temperature
▼	Reduced set of temperature	RUN	LED light when compressor is operating
SET CHAMBER	Digital display of preset temperature	CHAMBER	Digital display of inner temperature

NOTE: If the unit is unplugged, if the power is lost, or turned off, you must wait 3 to 5 minutes before restarting.

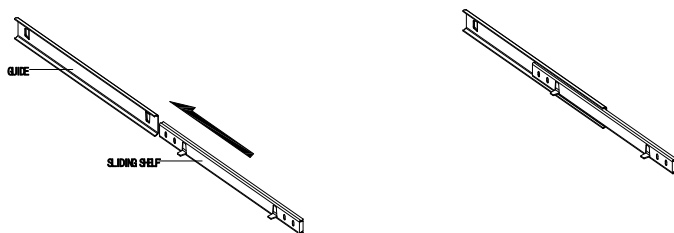
- Installation diagram of sliding shelf:



- Diagram of fixed and sliding shelf:



- Refit the sliding shelf as shown below:





Cleaning your wine cellar

Turn off and unplug the appliance, and remove all items including shelves. Wash the inside surfaces with a warm water and baking soda solution. The solution should be about 2 tablespoons of baking soda to 1 cup of water. Wash the shelves with a mild detergent solution. Wash the outside cabinet with warm water and mild liquid detergent. Rinse well and wipe dry with a clean soft cloth. Do not use steel wool or steel brush on the stainless steel. These will contaminate the stainless steel with steel particles and rusting may occur.

Technical Characteristics

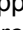
MODEL	V40MCB	V70MCB	V90MCB	V190MCA
Climate Type	SN/N	SN/N	SN/N	SN/N
Electricity Protection Grade	I	I	I	I
Volume(L)	103	188	270	450
Refrigerant	R600a	R600a	R600a	R600a
Nominal Voltage(V)	220~240	220~240	220~240	220~240
Voltage frequency(Hz)	50	50	50	50
Nominal current(A)	0.5	0.5	0.9	0.9
15C Power Consumption (kw.h/24h)	0.65	0.85	0.9	0.9
Noise (dB)	46	46	48	48
NW(Kg)	48	60	75	86.5
Body Size(mm)	595x590x840	595x590x1240	595x590x1640	595x690x1800

NOTICE

- The wine cooler is operated by compressor and the internal temperature is reached by the circulation of the refrigerant in the pipeline. During the cooling process, the fluid of refrigerant may generate some flowing sound. Contraction and expansion of the inside walls may also cause popping and crackling noise. The sound during the circulation is normal.
- Moreover, the start and stop of the operation of compressor may incur buzzing sound. The electrical components may also cause some “clattering” and “boh” sound due to their constant connection or disconnection. All these light sounds are normal. To help minimize them, it is advised to adjust the level of the wine cooler by turning the adjustment leg under the cabinet.
- The surface of wine cabinet especially the glass door will appear some frost if the cabinet is installed in a damp room. This is due to the moisture in the air coming into contact with the cabinet. Please wipe it away with dry cloth.
- If the wine cabinet is in the environment with high humidity or the door of your cabinet has been left open for a long period or opened frequently, condensation may form in the back plate of cabinet. Leave the door closed, it will defrost while the compressor stops.

TROUBLESHOOTING GUIDE

You can solve many common wine cellar problems easily, saving you the cost of a possible service call. Try the suggestions below to see if you can solve the problem before calling the servicer.

PROBLEM	POSSIBLE CAUSE	SOLUTION
Cellar does not operate.	Not plugged in. The appliance is turned off. The circuit breaker tripped or a blown fuse.	Plug the unit. Press  to turn on the unit. Check the breaker and/or fuses.
Cellar is not cold enough.	External environment may require a higher setting. The door is opened too often. The door is not closed completely. The door gasket does not seal properly.	Check the temperature control setting. Close the door properly. Check the door gasket.
The compressor turns on and off frequently.	The room temperature is hotter than normal. A large amount of contents has been added to the cellar. The door is opened too often. The door is not closed completely. The temperature control is not set correctly. The door gasket does not seal properly.	Close the door properly. Check the door gasket.
The light does not work.	Not plugged in. The circuit breaker tripped or a blown fuse. The light button is "OFF".	Plug the unit. Check the breaker and/or fuses.
Vibrations.	The cellar is not levelled The bottles are vibrating. There is an object under the cellar.	Check to assure that the cellar is level. Make sure the bottles don't touch each others. Remove the object.
The cellar seems to make too much noise.	The cellar is not level.	Level the cellar. The rattling noise may come from the flow of the refrigerant, which is normal. As each cycle ends, you may hear gurgling sounds caused by the flow of refrigerant in your cellar. Contraction and expansion of the inside walls may cause popping and crackling noises.
The door will not close properly.	The cellar is not level. The door was reversed and not properly installed. The gasket is dirty. The shelves are out of position.	Level the cellar. Close the door properly. Clean the door gasket. Place the shelves properly.
Error Code: E1-E2-E3- E4-E7-E8	A sensor has failed.	Contact us for a service call.

酒櫃使用說明書

(適用於 V90MCB, V70MCB, V40MCB, V190MCA)

多謝購買 Vivant 酒櫃！

注意：此使用說明書包含重要信息，包括安全和安裝細節。為令您適當地運用您的酒櫃，請仔細閱讀並保存備查。

安裝酒櫃之前，我們建議您可先記低酒櫃的型號和機身編號。

型號：

機身編號：

購買日期：



警告：

- 為了避免損害的壓縮機，請不要在關掉後 5 分鐘內再次啟動。
- 當環境溫度低於 5 °C 時，建議關斷電源，否則櫃內的酒有可能會被凍壞。
- 本機採用少量環保制冷劑 R600a。由於 R600a 屬可燃性氣體，在搬運及安裝酒櫃時，要小心避免損壞機器冷却回路的零件。
- R600a 屬可燃性氣體，會傷害眼睛。如發現有洩漏，請杜絕明火及任何潛在的火源，並對房間進行數分鐘通風。
- 切勿使用易燃液體清潔電器配件，因這可能造成火災或爆炸。不要在酒櫃附近存儲、或使用汽油或其他易燃氣體和液體。
- 確保有足夠的人手去移動和安裝電器，以避免傷害使用者及對機器有任何的損害。
- 為了保證適當的通風，機身前面部分必須是完全暢通無阻。酒櫃應該被放置在遠離陽光照射和接觸熱源（火爐，加熱器，散熱器等）的地方。

重要安全信息

為使閣下安全使用本電器產品，請先閱讀本說明書，然後才安裝和使用此酒櫃。當使用時，基本的預防措施應始終遵循，包括以下事項：



酒櫃用途

- 您的酒櫃適合在家居使用，它只適用於冷藏和儲存酒，請不要將熱飲料和 / 或食品放於酒櫃內儲存。如酒櫃用於其他用途或者被不正確使用，本保養証將自動失效。
- 基於安全的考慮，請不要嘗試改變酒櫃的規格。

使用酒櫃前注意事項

- 請檢查酒櫃有否在運送途中有任何損壞；如果您發現有損壞，請不要把酒櫃連接到電源，並應跟您的零售商聯絡。
- 如果發現電源線損壞，請不要使用；必須由製造商或合資格人士更換，以避免危險。

兒童安全

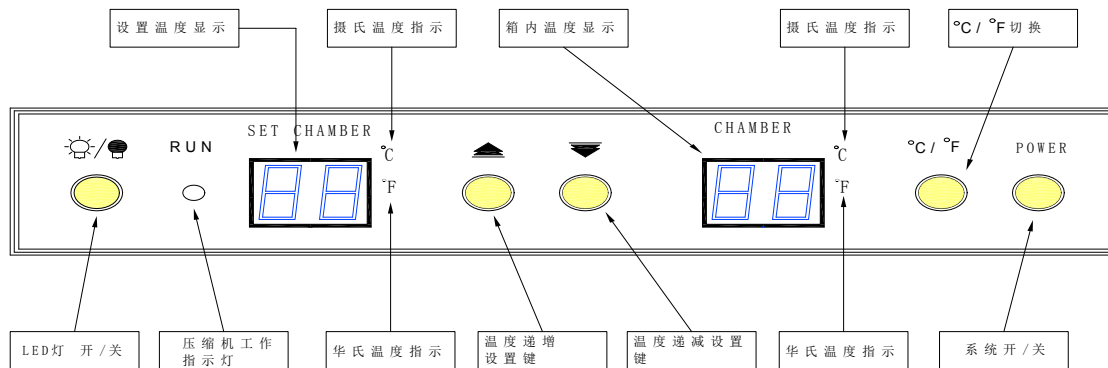
- 所有包裝材料應遠離兒童。
- 這酒櫃是不適合幼兒、兒童或體弱的人，在沒有受監督的情況下使用。必須教導幼兒或兒童，不要把酒櫃當作玩具，以避免發生危險。
- 一個空置的酒櫃可能對兒童造成危險。如果要棄置酒櫃，請您除去酒櫃的墊圈，或整個櫃門，或採取其他行動，以確保棄置的酒櫃不會對兒童造成危險。

一般安全

- 在完成酒櫃的設置前，不要插入電源。
- 我們並不建議您把酒櫃的電源線連接到延長線或拖板。請確保酒櫃的電源線是直接插入到電源插座上。
- 請勿拉扯電線來移除電源。您應該抓住插頭來把電源插頭移離電源插座。請勿拉扯電線來搬動或抬起酒櫃。
- 請把電線遠離熱的表面。
- 此酒櫃是一個電器。為了避免因觸電而造成的傷害或死亡，請不要用濕手來操作酒櫃，也請不要在潮濕的表面或水中使用此酒櫃。
- 不要在戶外或潮濕的環境下使用您的酒櫃。
- 在清潔酒櫃或進行維修保養工作前，請先移除酒櫃的電源。請使用輕柔的清潔劑或清潔玻璃的產品來清理酒櫃。切勿使用烈性清潔劑或溶劑。
- 請不要讓酒櫃的背部接觸到牆壁。
- 請確保您擺放酒櫃的位置並沒有儲物其他物品，如紙張和其他易燃物品。
- 不要阻塞酒櫃內部或外部的通風口。裝置酒櫃時，請確保容許有足夠的通風。酒櫃與左、右牆壁の間隔至少要有5厘米以上的間距，酒櫃後面與牆壁之間の間隔至少要有8厘米以上的間距。保持酒櫃有良好的通風是十分重要的，確保酒櫃底部與其放置之表面之間有良好的空氣流通。

- 將酒擺放於酒櫃後，請儘快關閉酒櫃門，以確保內部的溫度不會大幅上升。酒櫃應避免接近熱源或受陽光直接照射。
- 為了穩定放置您的酒櫃，請把它放在平坦及穩固的表面上，不應將酒櫃放在任何柔軟之物料上。
- 您應該垂直安裝此酒櫃。當放置或移動酒櫃時，請確保它不會被水平放置、傾斜少於45°、或被顛倒擺放。

酒櫃說明



- 控制台上的數碼管顯示的是溫度，左邊的數碼管顯示的是設置溫度，所顯示的設置溫度範圍是：5°C~22°C (40°F -72°F)；右邊的數碼管顯示的是箱內的實測溫度。右側數碼管的顯示範圍是 0~37°C (32°F -99°F)。
- 客戶可根據自己的實際需要進行箱體內溫度的重新設定，酒櫃進入工作狀態後溫度就會逐步達到所設定的溫度，並圍繞著所設定的溫度值進行工作。
- 顯示板各項功能介紹：

POWER 可以對整機系統進行開/關機
 °C/°F 可以進行華氏/攝氏兩種溫度顯示之間的切換。

可以控制 LED 燈的開/關

▲ 操作此鍵可進行溫度的遞增設置。

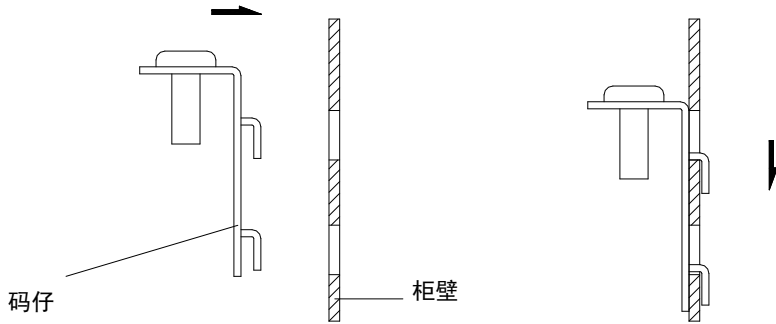
▼ 操作此鍵可進行溫度的遞減設置。

RUN 壓縮機工作時，下面對應的指示 LED 燈才能被點亮。

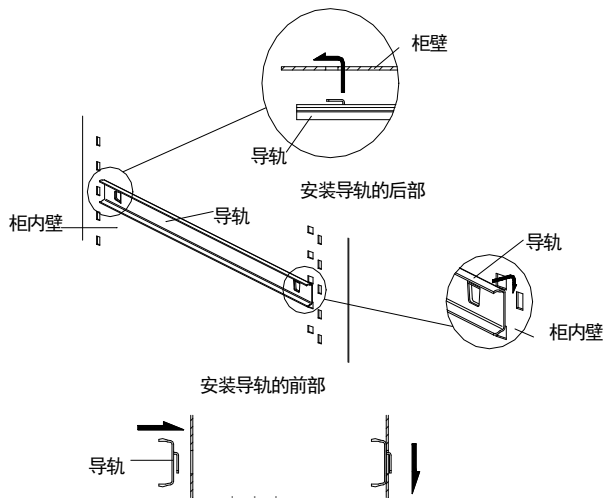
SET CHAMBER 設置溫度的數碼顯示

CHAMBER 箱內溫度的數碼顯示

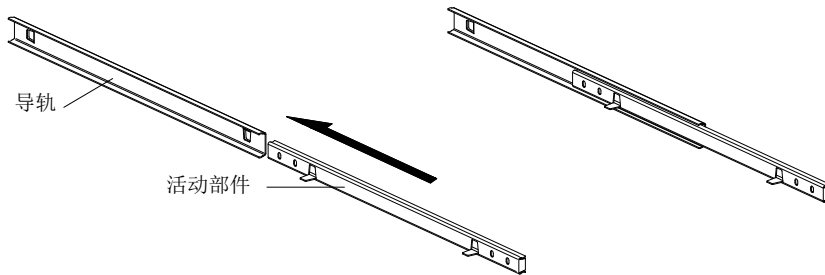
● 固定層架安裝示意圖：



● 固定活動層架安裝示意圖：



● 裝回層架請按如下圖示操作：





開始使用您的酒櫃

連接電源前

- 請確保有足夠的成年人去移動和安裝酒櫃，並按照本說明書所載的注意事項安裝。
- 如果您想在使用本酒櫃前先把它清潔，酒櫃的表面和裡面的層架可用洗滌劑和水合成之液體來清洗，酒櫃內箱應以清水清洗乾淨。在清理過程完成後，內箱和配件應被徹底吹乾。
- 在首次開動酒櫃時，或會有一些氣味。氣味將隨著您的酒櫃開始冷卻而減少。

儲存紅酒

- 標準的酒架設計是為儲存波爾多型酒瓶。酒櫃的最大安全儲存量是取決於瓶子的不同大小及其形狀、和酒架數量。
- 為了防止損壞櫃門及門封條，請確保先把門完全打開後，才拉出層架。拉架時，請小心輕力，以避免酒瓶滑下。勿使瓶體碰到櫃內後壁。
- 如酒櫃需要被長時間空置，建議拔掉電源，並經小心清潔後，把門半開著，好讓空氣流通，以避免滋生黴菌或異味。

清洗和維修保養

警告：請確保您的酒櫃並未連接到電源，然後才嘗試進行清潔。

清潔劑：不要以烈性、磨蝕性、重型清潔劑或溶劑用於您的酒櫃上。

酒櫃外部：酒櫃的表面和裡面的層架可用洗滌劑和水合成之液體來清洗。

酒櫃內部：酒櫃內箱應以溫暖的清水清洗乾淨；也可以用蘇打溶液與溫暖多泡沫的水來清洗酒櫃內部。在清理過程完成後，內箱和層架配件應被徹底吹乾。

門磁性密封：用溫暖的水來清洗。

安裝注意事項

注意：安裝之前，請閱讀所有的指示，確保您的家電壓（V）和頻率（Hz）與銘牌所要求的是完全一樣。銘牌上可以在你的酒櫃後面找到。

- 安裝酒櫃在一個方便的位置，遠離酷熱和寒冷。在酒櫃及側牆之間允許足夠的空間，使打開櫃門不受阻撓。
- 請選擇平穩及水平的表面，來放置酒櫃。酒櫃於前端配備有可輕微調節的腳，幫助平衡酒櫃。
- 如果環境溫度過高，您的酒櫃可能無法正常運作，由於酒櫃的溫度會受到環境溫度的影響；若果酒櫃附近的溫度太高，酒櫃有可能未能調較到較低溫度。
- 不應該把你的酒櫃設在陽光直射的地方或暴露在高溫或持續極端溫度的位置（如擺放在散熱器或鍋爐旁邊）。

故障對策或提示

出現的問題	成因	解決方法
酒櫃未能運作	<ul style="list-style-type: none"> - 有電源故障 - 保險絲斷 	<ul style="list-style-type: none"> - 確保酒櫃插頭插入電源插座，而電源正在開著 - 替換斷保險絲
酒櫃不夠凍	<ul style="list-style-type: none"> - 您的酒櫃過於接近另一熱源或環境溫度過高 - 夏季環境溫度太高 	<ul style="list-style-type: none"> - 避免酒櫃受到陽光直接照射、或避開其它熱源、或移動您的酒櫃到陰涼
	<ul style="list-style-type: none"> - 空氣不流通 	<ul style="list-style-type: none"> - 確保酒櫃通風良好，把雜物放遠離酒櫃的風扇
	<ul style="list-style-type: none"> - 未能運作 	<ul style="list-style-type: none"> - 確保插頭連接。
	<ul style="list-style-type: none"> - 酒櫃門打開過於頻繁，敞開太久，或並未關緊 	<ul style="list-style-type: none"> - 緊緊關閉酒櫃門，並關閉一會兒。不要頻繁地開酒櫃門
酒櫃太凍	<ul style="list-style-type: none"> - 環境溫度太低 	<ul style="list-style-type: none"> - 將您的酒櫃一個更溫暖的地方
振動	<ul style="list-style-type: none"> - 酒櫃不在一個水平面上 - 酒櫃接觸著背後的牆 	<ul style="list-style-type: none"> - 確保酒櫃是在一個水平面上 - 重新定位和使酒櫃離開背後的牆
酒櫃內有霜凍形成	<ul style="list-style-type: none"> - 濕度太高 - 環境溫度太低 	<ul style="list-style-type: none"> - 拔下電源解凍，融霜和吹乾後再開動酒櫃

- 本酒櫃利用壓縮機制冷，在工作狀態下，依靠制冷劑在回路管道中流動，櫃內溫度才能迅速降低。在制冷劑流動的過程中，及循環結束時，會發出輕微的流水聲音或咕嚕咕嚕聲音，或可能因收縮和擴張內壁引致劈啪聲的雜音，這屬於正常現象，請放心使用。
- 此外，酒櫃壓縮機在自動開啟及停頓時，會有聲響。電器零件也可能因啟動而發出輕微的“咔嚓”或“啾”的聲音，這也屬於正常現象，如酒櫃放置有少許不平，雜音更會加大，請旋轉箱體下方的調整腳來調整酒櫃，確保水平擺放。
- 酒櫃運行時，當櫃內溫度與環境溫度相差很大或在環境濕度過大的情況下，玻璃門出現水霧屬於正常現象，用乾布擦拭即可。
- 酒櫃運行時，在櫃體內壁背部可能會有一層薄薄的霜層，這些都是正常的，當壓縮機停止工作時霜會自然融化。